

FOUNDATION PLAN
SEE DWG. S1222259-F2 & F3 FOR FOUNDATION DETAILS & A.B. DETAILS

FOUNDATION NOTES :

- FOUNDATION DESIGN BASED ON SUBSURFACE EXPLORATION PREPARED BY HOLCOMB FOUNDATION ENGINEERING HFE FILE # H-19193 DATED SEPT. 12, 2019.
- CONCRETE TESTING FOR QUALITY IS THE RESPONSIBILITY OF THE OWNER AND THE FREQUENCY AND TYPES OF TESTING SHALL BE DETERMINED BY THE OWNER.
- EARTH WALLS SHALL BE PROTECTED FROM CAVE-INS AND INTRUSION OF WATER. (IF NECESSARY, PROTECTION SHALL BE VIA TEMPORARY STEEL LINER. LINER SHALL BE REMOVED AS CONCRETE IS POURED).
- ALL WATER SHALL BE PUMPED FROM EXCAVATION BEFORE CONCRETE IS POURED; OTHERWISE CONCRETE SHALL BE PLACED VIA UNDERWATER TREMIE.
- ALL CONCRETE POURS MADE WHEN TEMPERATURES RANGE BETWEEN 50°F AND 90°F, CAN BE MADE WITHOUT AND SPECIAL PROVISIONS.
- ALL CONCRETE SHALL BE MADE FROM TYPE I OR II CEMENT AND SHALL HAVE A MINIMUM ULTIMATE COMPRESSIVE STRENGTH OF 4000 P.S.I. AT 28 DAY TEST.
- ALL REINFORCING STEEL SHALL BE NEW BILLET, 60 KSI DEFORMED BARS (ASTM A-615).
- ALL DETAILING, FABRICATION, PLACING AND SUPPORTING OF REINFORCEMENT SHALL BE IN ACCORDANCE WITH A.C.I. 318-95 AND C.R.S.I.
- ALL REINFORCING AND ANCHOR BOLTS SHALL BE RIGIDLY SECURED IN POSITION PRIOR TO THE PLACING OF CONCRETE.
- ALL CONCRETE SHALL HAVE A MAXIMUM 4" SLUMP (UNLESS APPROVED ADMIXTURES ARE USED).
- THE FOLLOWING MINIMUM CONCRETE COVER SHALL BE PROVIDED FOR REINFORCEMENT:

MIN. COVER (IN)	
(A) CONCRETE CAST AGAINST AND PERMANENTLY EXPOSED TO EARTH	3"
(B) CONCRETE EXPOSED TO EARTH AND WEATHER	2"
- ALL REINFORCEMENT AND WELDED WIRE FABRIC SHALL BE FREE OF RUST, DIRT, OIL AND MILL SCALE PRIOR TO PLACEMENT OF CONCRETE.
- ALL ANCHOR BOLTS SHALL BE AS NOTED AND SHALL BE GALVANIZED ACCORDING TO ASTM A-123, UNLESS NOTED OTHERWISE.
- PORTLAND CEMENT SHALL CONFORM TO ASTM C150.
- AGGREGATE FOR CONCRETE SHALL CONFORM TO ASTM C33, SIZE #57.
- PROVIDE BAR SUPPORTS, SPACERS, AND OTHER ACCESSORIES AS REQUIRED BY THE LATEST CRSI MANUAL OF STANDARD PRACTICE.
- REINFORCING BARS SHALL NOT BE WELDED.
- ALL EXPOSED EDGES OF THE CONCRETE FOUNDATION SHALL BE BEVELED 3/4".
- T.O.C. ELEVATIONS SHALL BE THE SAME UNLESS SPECIFICALLY NOTED OTHERWISE.
- ALL BACKFILL AROUND FOUNDATIONS TO BE THOROUGHLY COMPACTED IN LAYERS NOT TO EXCEED 6 INCHES.

LEGEND

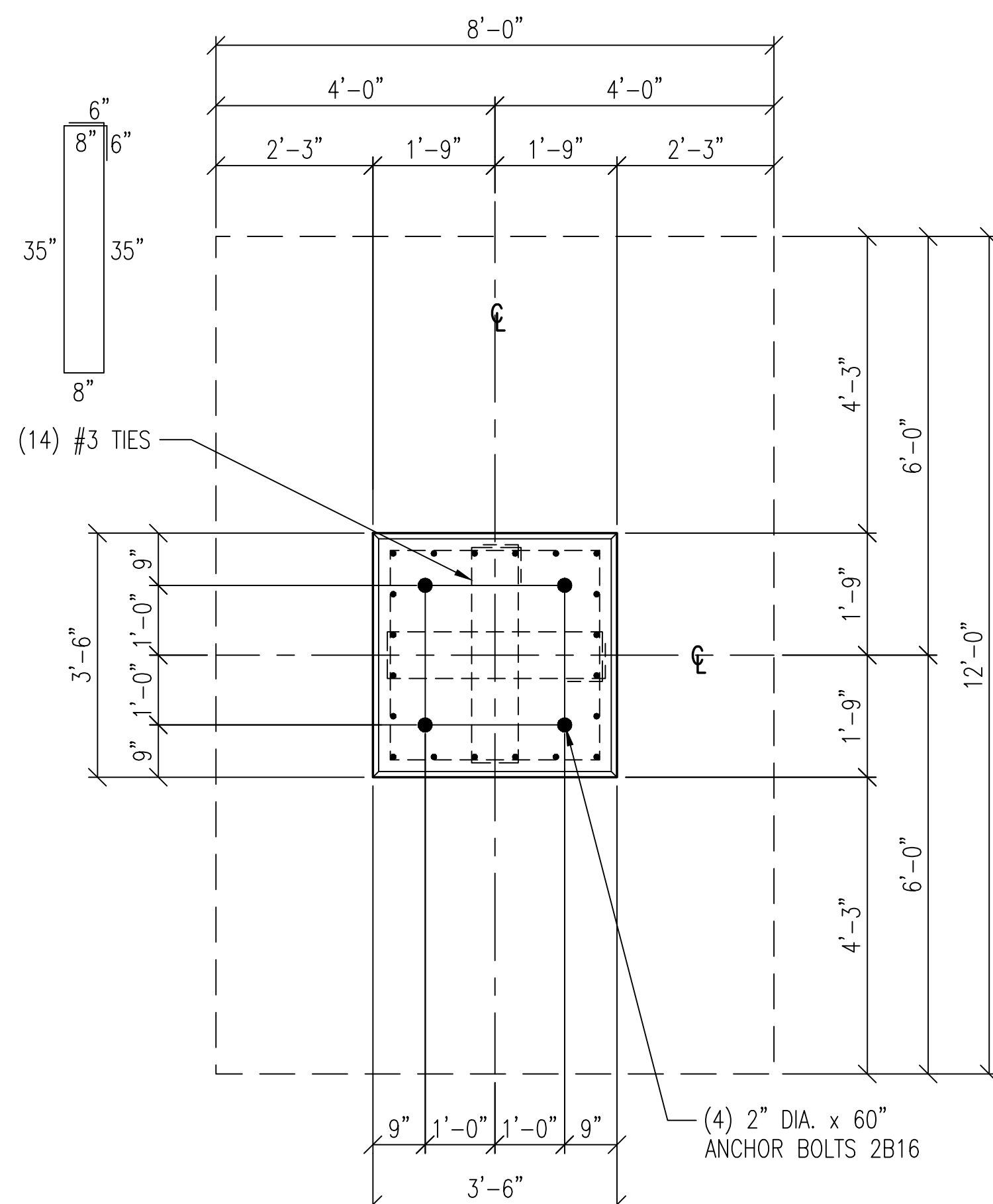
⬡ FOUNDATION IDENTIFICATION

REV	DATE	Description
0	05/01/2020	Copied from SS1097197-F1-R5
1	07/09/2020	Revised per Soil Report

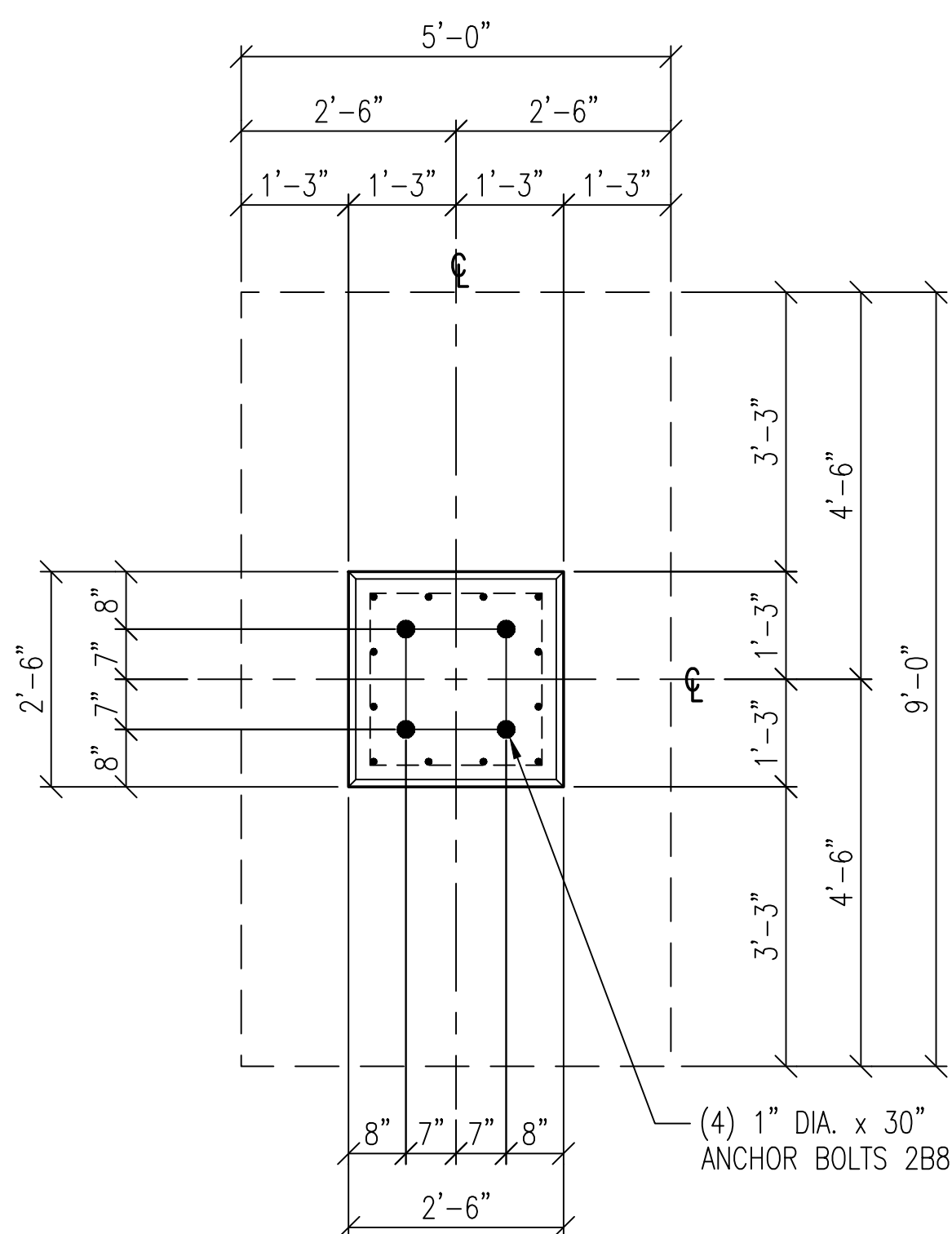
City of Farmington, MO
Tower Avenue Substation

Fletcher-Reinhardt Company
Bridgeton, Missouri
Foundation Plan

SIZE	FSCM NO.	DWG NO.	REV
		S1222259-F1	1
SCALE 1/4"=1'-0"			May 1, 2020
SHEET 1			of 3

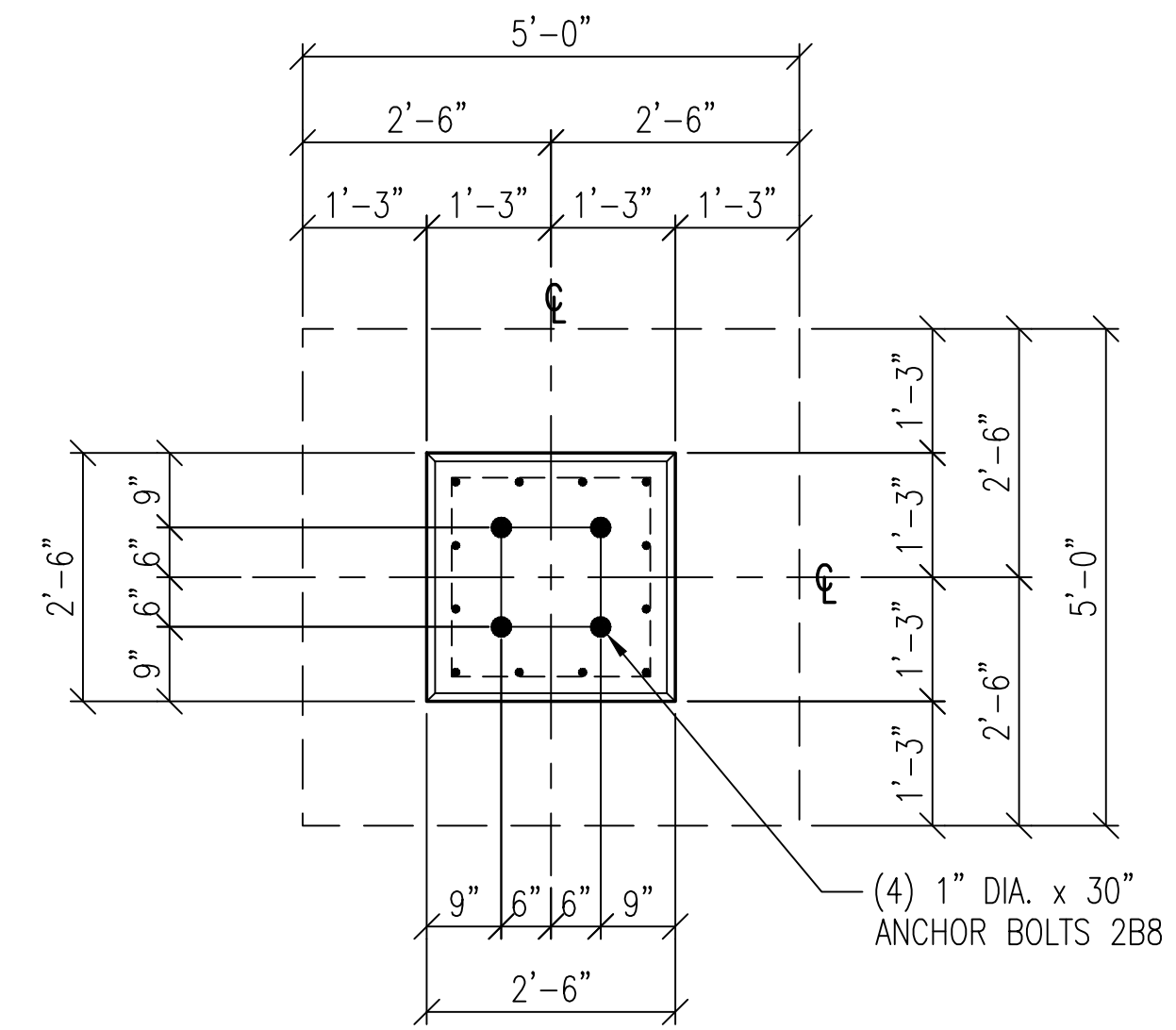


FOUNDATION S1 (2-REQ'D)
69kV HIGH-SIDE STRUCTURE
CONCRETE : 7.38 CU.YD./EA.

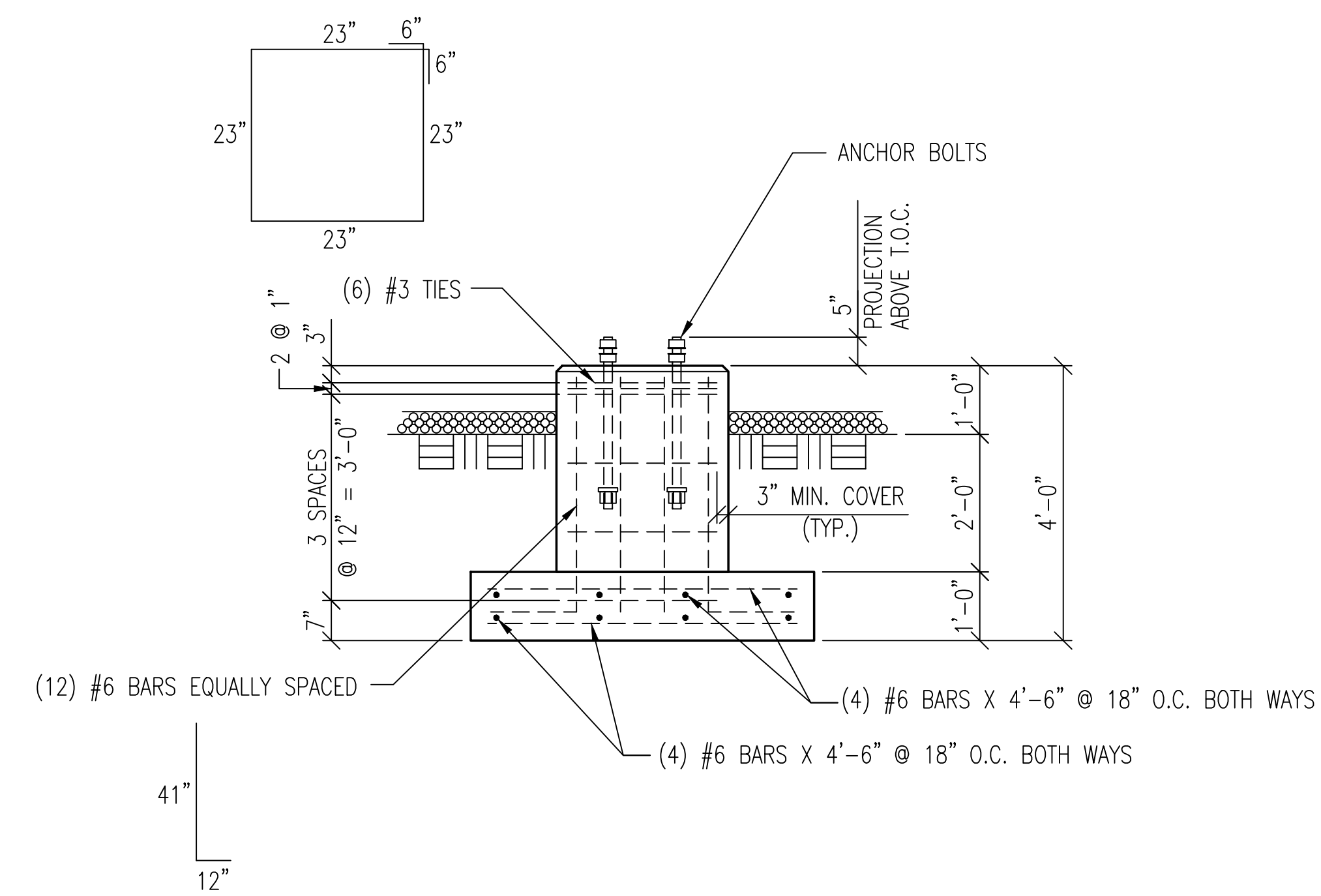
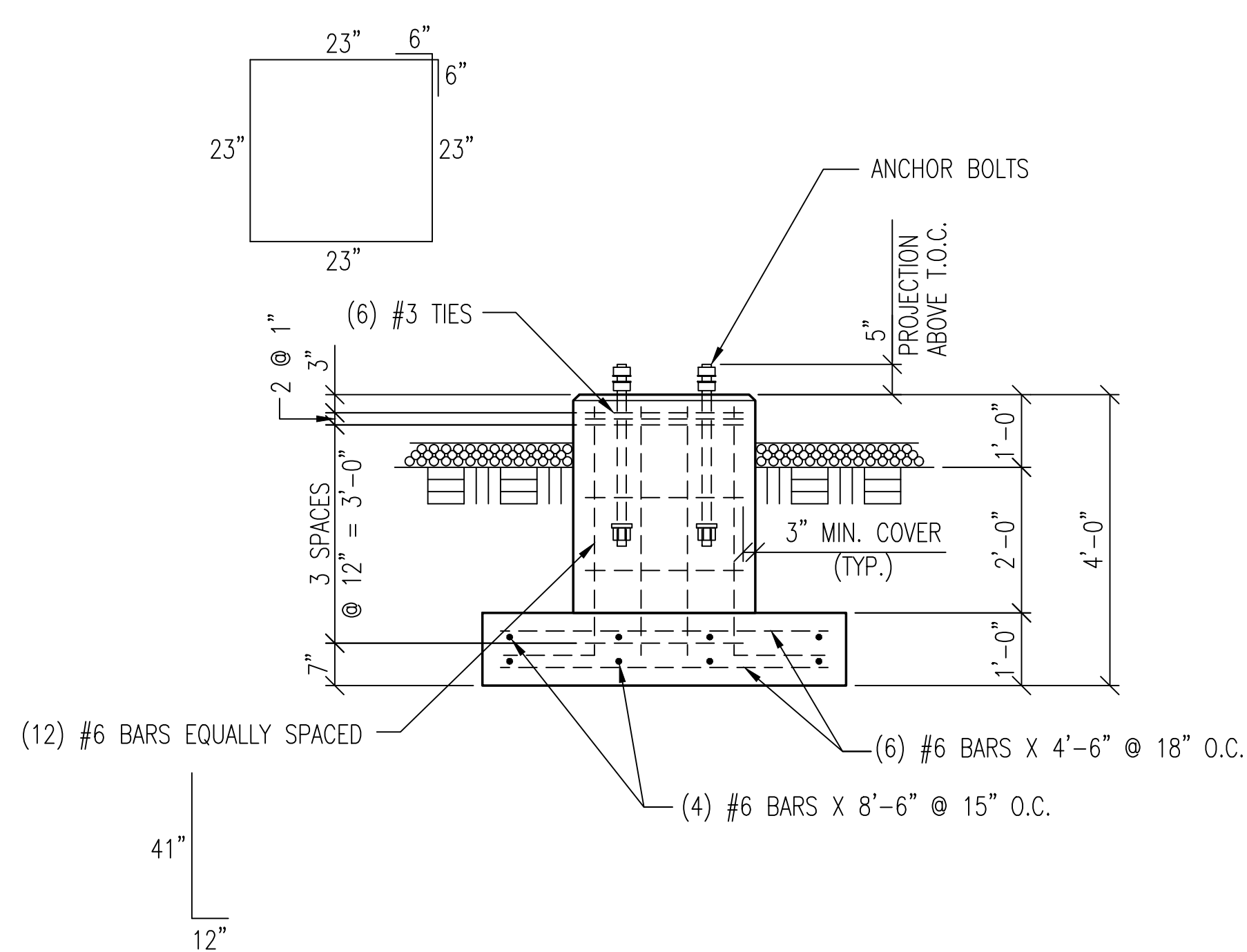
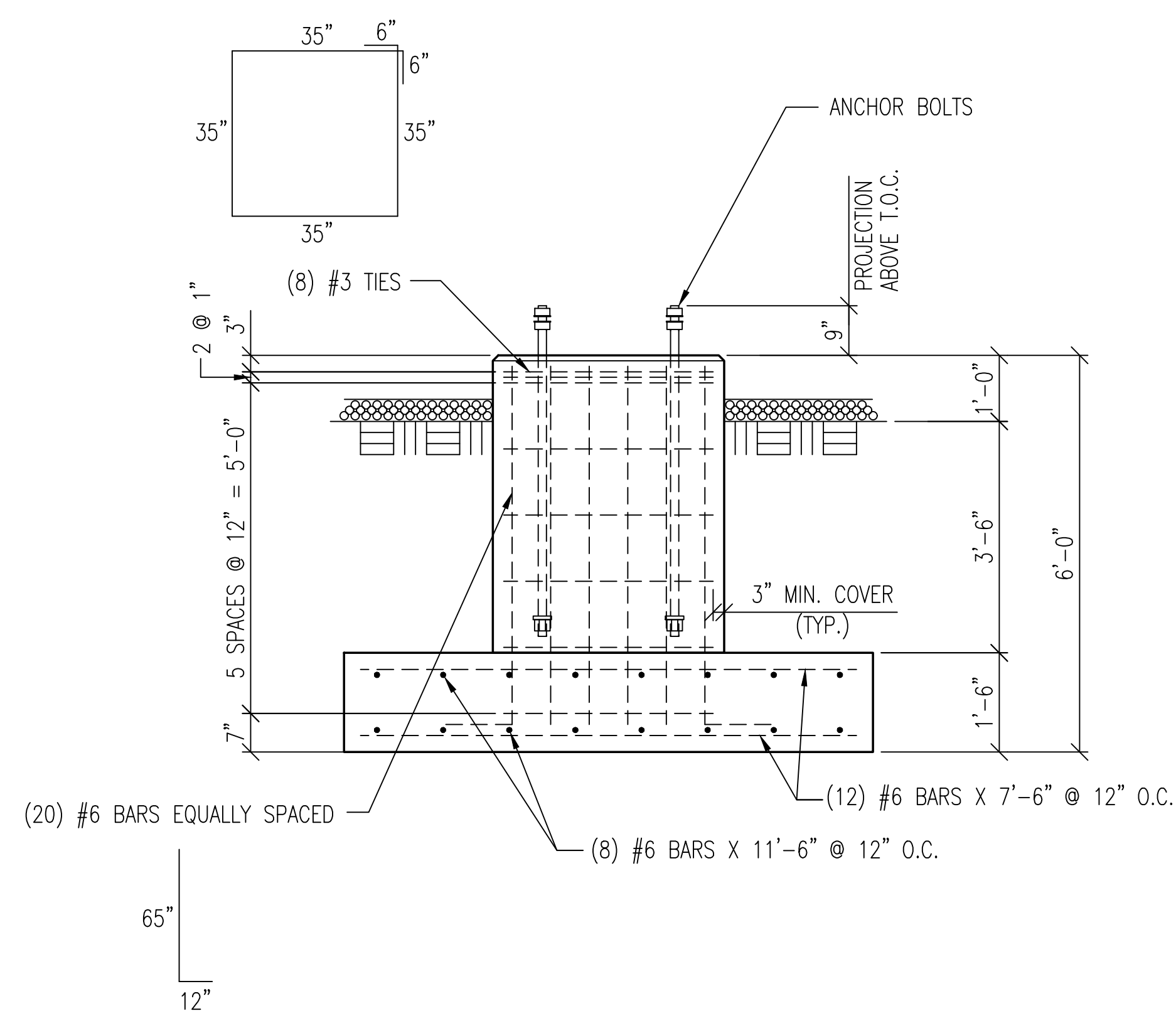


FOUNDATION S3 (2-REQ'D)
15kV REGULATOR STRUCTURE
CONCRETE : 2.36 CU.YD./EA.

FOUNDATION S4 (3-REQ'D)
15kV FEEDER STRUCTURE
CONCRETE : 2.36 CU.YD./EA.

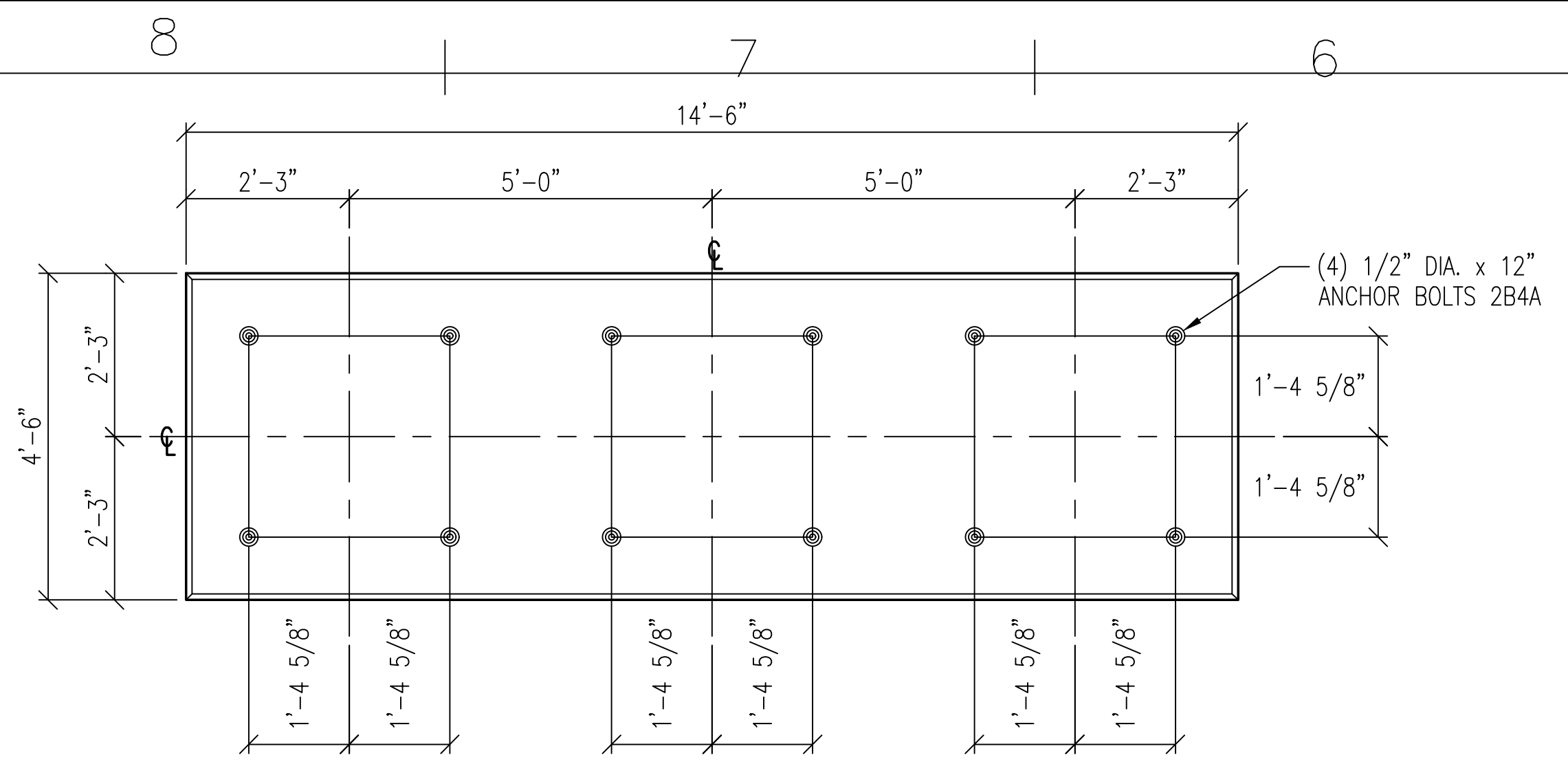


FOUNDATION S2 (2-REQ'D)
15kV METERING/SWITCH STRUCTURE
CONCRETE : 1.62 CU.YD./EA.

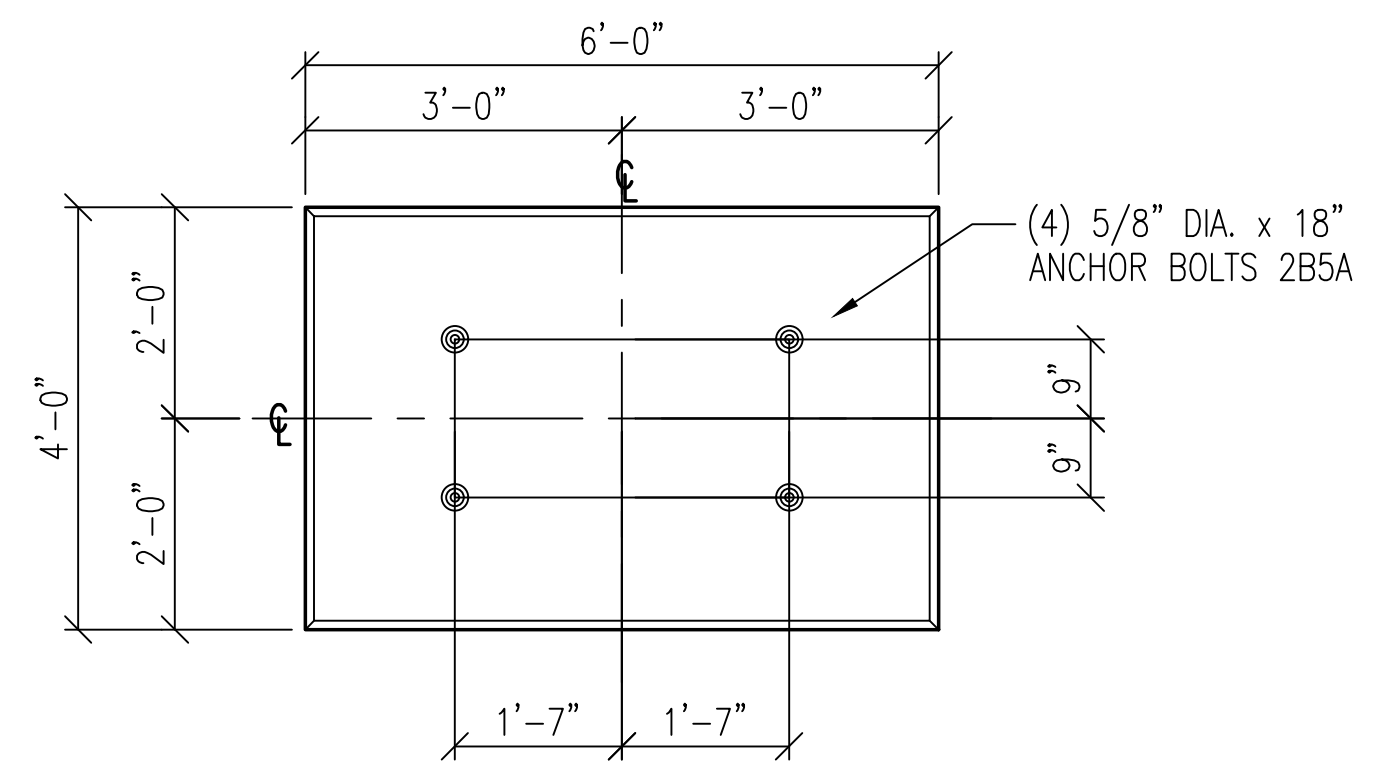
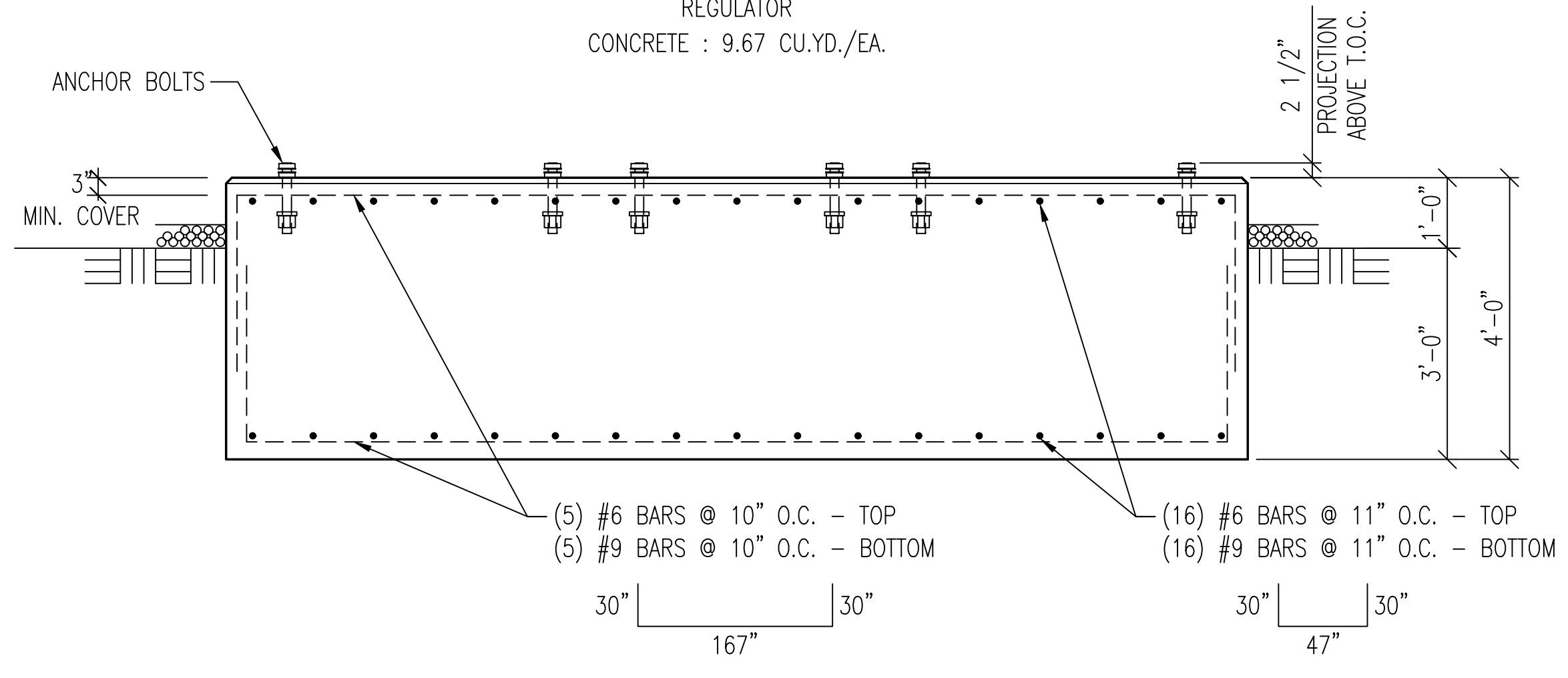


REV	DATE	Description
0	05/01/2020	Copied from S1097197-F2-R1
1	07/09/2020	Revised per Soil Report

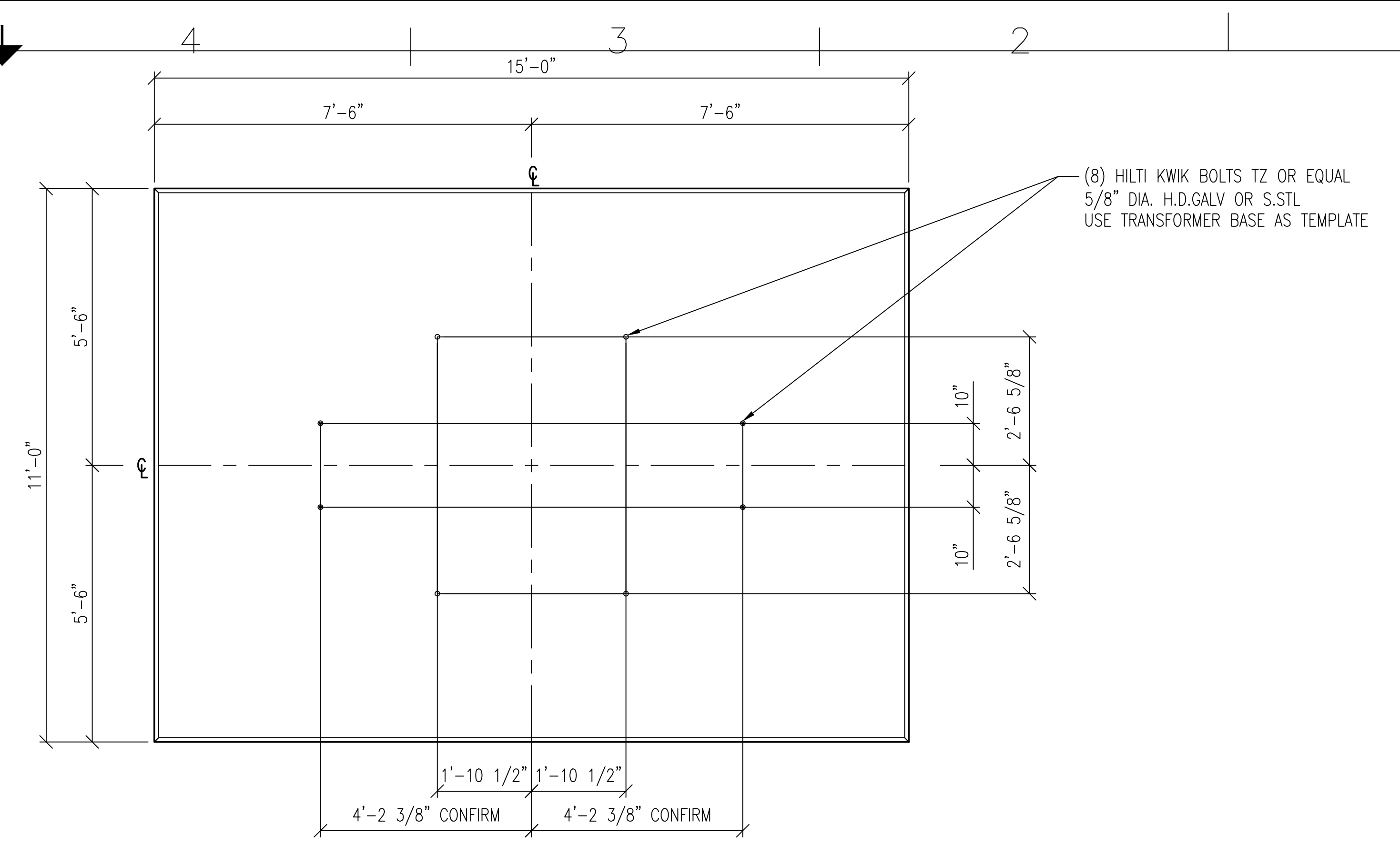
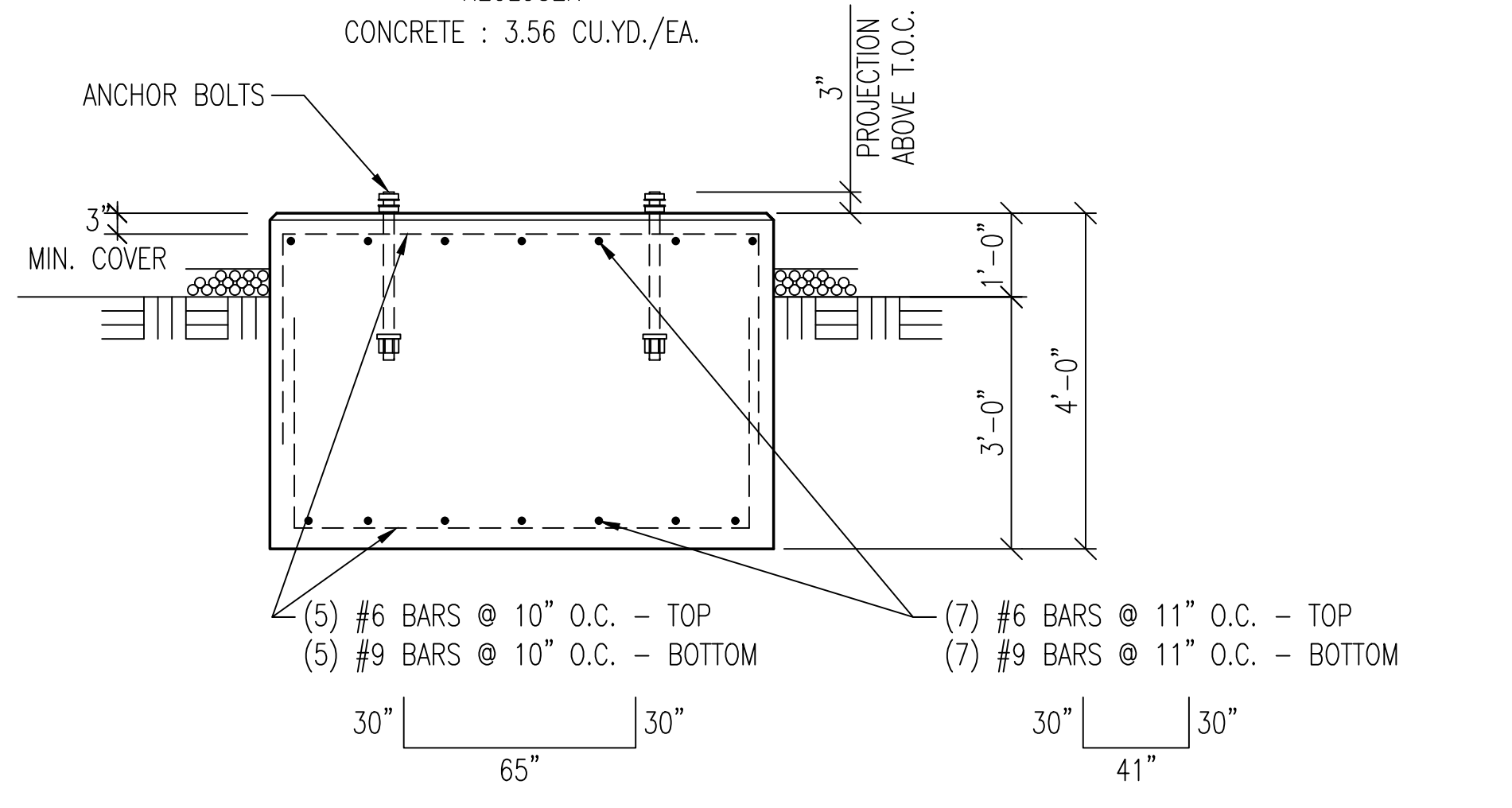
City of Farmington, MO Tower Avenue Substation			
Fletcher-Reinhardt Company Bridgeton, Missouri Foundation Details			
SIZE	FSCM NO.	DWG NO.	REV
		S1222259-F2	1
SCALE 1/2"=1'-0" May 1, 2020			SHEET 2 of 3



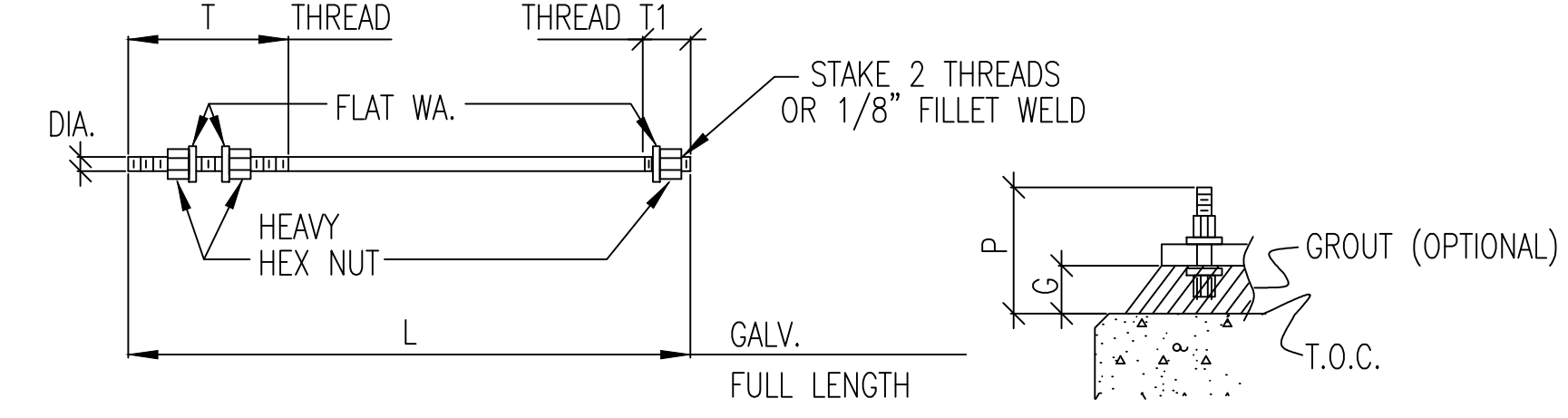
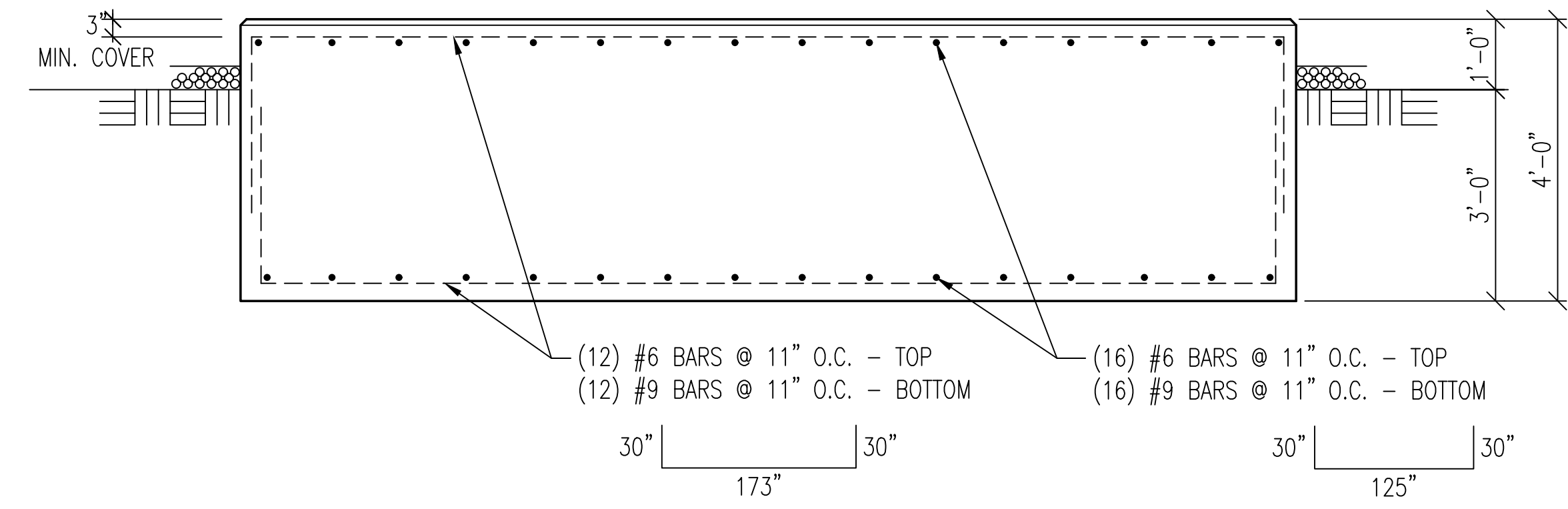
FOUNDATION REG (1-REQ'D)
REGULATOR
CONCRETE : 9.67 CU.YD./EA.



FOUNDATION RCL (1-REQ'D)
RECLOSER
CONCRETE : 3.56 CU.YD./EA.



FOUNDATION XFMR (1-REQ'D)
TRANSFORMER
CONCRETE : 24.44 CU.YD./EA.



ANCHOR BOLTS (HEADED)
ASTM F1554-36 ANCHOR BOLTS WITH ASTM A563 HEAVY HEX NUTS

QNTY	MARK	DIA.	X	L	T1	T	P	G	WT.EA.
12	2B4A	1/2"	DIA.	X 12"	1 1/2"	5 1/2"	2 1/2"	0"	0.88#
4	2B5A	5/8"	DIA.	X 18"	1 1/2"	5 1/2"	3"	0"	1.98#
-	2B6	3/4"	DIA.	X 24"	1 1/2"	5 1/2"	4 1/2"	2"	3.78#
28	2B8	1"	DIA.	X 30"	2"	6"	5"	2"	8.20#
-	2B10	1 1/4"	DIA.	X 36"	2 1/2"	6 1/2"	5 1/2"	2"	15.30#
-	2B12	1 1/2"	DIA.	X 48"	2 1/2"	7 1/2"	6 1/2"	2"	29.60#
-	2B14	1 3/4"	DIA.	X 54"	3"	9 1/2"	8 1/2"	3"	45.31#
8	2B16	2"	DIA.	X 60"	3"	10"	9"	3"	65.73#
-	2B18	2 1/4"	DIA.	X 66"	3"	11"	10"	3"	91.40#
								TOTAL=	773.9#

REV	DATE	Description
0	05/01/2020	Copied from S1097197-F3-R4
1	07/09/2020	Revised per Soil Report

City of Farmington, MO
Tower Avenue Substation

Fletcher-Reinhardt Company
Bridgeton, Missouri
Foundation Details

SIZE	FSCM NO.	DWG NO.	REV
		S1222259-F3	1
SCALE 1/2"=1'-0"		DATE May 1, 2020	SHEET 3 of 3